

# Service Manual

## Multi-Scan Color CRT Display

### *PanaSync* S70

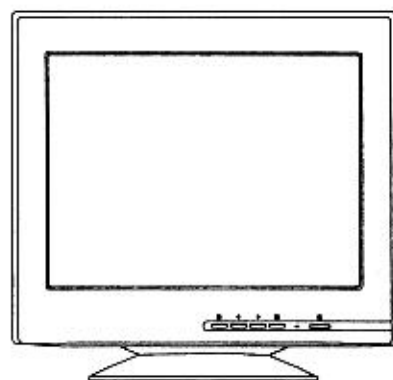
## MODEL TX-D7F35-M/-U/-SW/-E/-G)

### Chassis No. HV9

### Chassis Family No.17HV9

#### Suffix of Each Model and Destination

-M	North America	(Power Cord:UL/CSA type	No. TSXA023 enclosed)
-U	U.K.	(Power Cord:U.K. type	No. TSX8493 enclosed)
-SW	Switzerland	(Power Cord:SEV type	No. TSX8492 enclosed)
-E	Germany	(Power Cord:VDE type	No. TSX8484 enclosed)
-G	Other Europe and Asia	(Power Cord:VDE type	No. TSX8484 enclosed)



## CONTENTS

SERVICE WARNING .....	1
SAFETY PRECAUTIONS .....	2
GENERAL INFORMATION .....	3
SPECIFICATIONS .....	3
DIMENSIONS .....	11
DISASSEMBLY INSTRUCTIONS .....	13
CONTROL LOCATION .....	16
CAUTION FOR ADJUSTMENT AND REPAIR .....	17
CAUTION FOR SERVICING .....	17
ADJUSTMENT AND CHECK PROCEDURE .....	18
ADJUSTMENT SOFTWARE .....	19
ADJUSTMENT CONTROL LOCATION .....	20
REQUIRED ADJUSTMENT PROCEDURE AFTER A PARTS REPLACED .....	21
ADJUSTMENT PROCEDURE .....	22
BLOCK DIAGRAM .....	30
CONDUCTOR VIEW .....	37
SCHEMATIC DIAGRAM .....	39
TROUBLE SHOOTING HINTS .....	48
EXPLODED VIEW .....	51
REPLACEMENT PARTS LIST .....	52

# Panasonic

© 1997 Matsushita Electric Co., Ltd.

All right reserved. Unauthorized copying and distribution is a violation of law.

Conditions

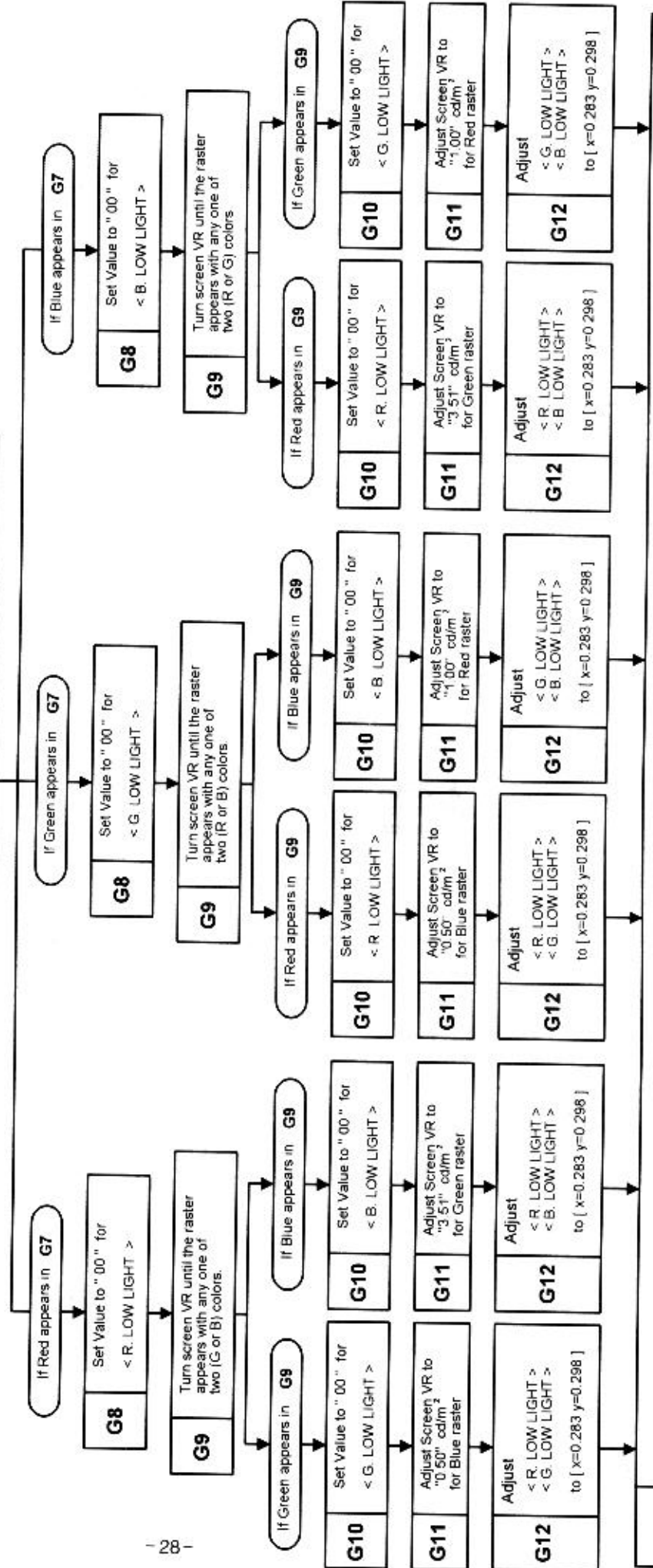
Signal : Turn off the R,G,B (sync signal only)  
Adjust Menu : 4) Adjust OTHER setting  
Using by Color Analyzer for M11 and M12 adjustment

**CRT CUT-OFF ADJUSTMENT**

- G4** Set screen VR fully counterclockwise (Min).
- G5** Set BRIGHTNESS to center point by using the OSD
- G6** Set data value to "bc" for R, G, B LOW LIGHT

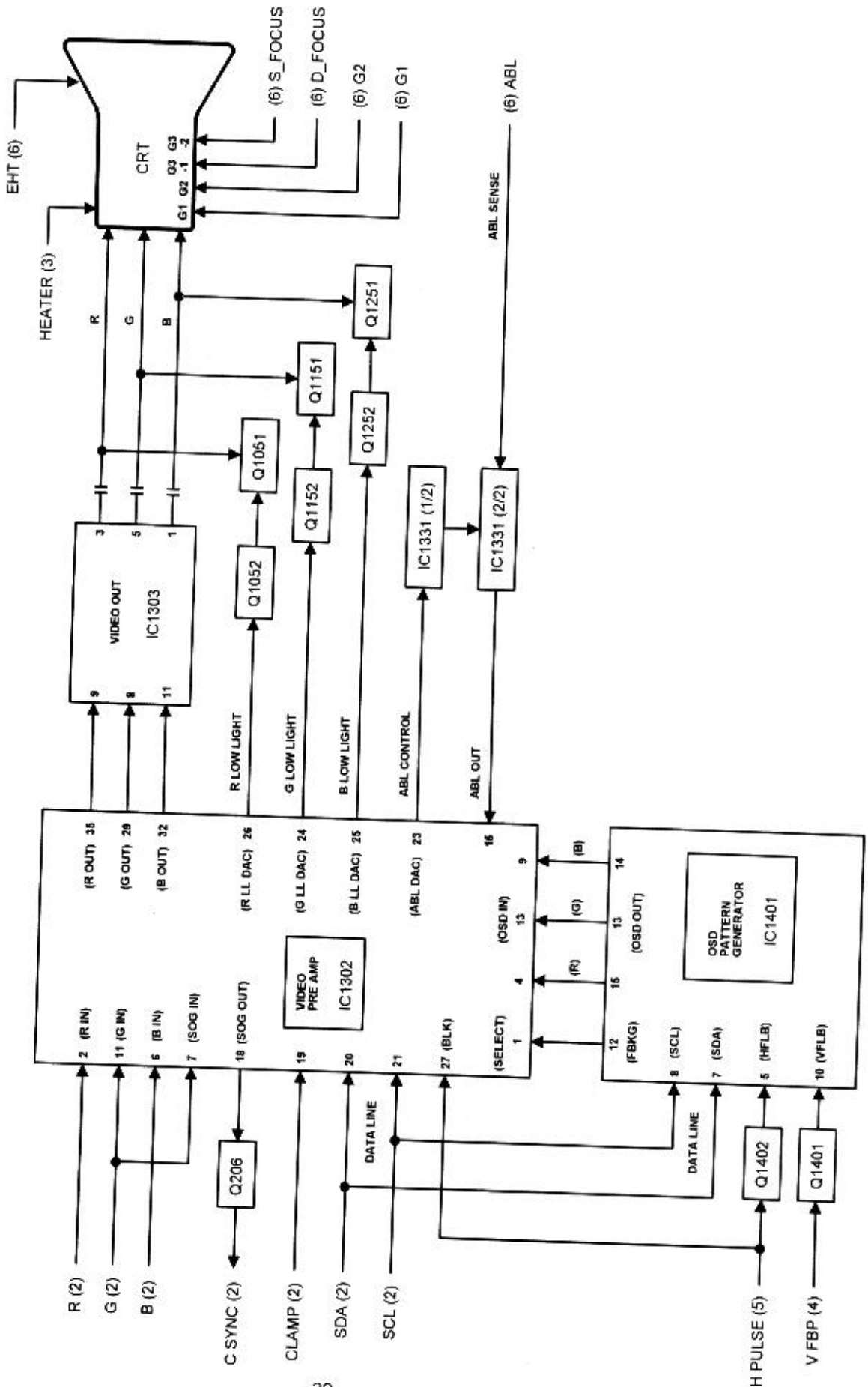
**G7** Turn screen VR until the raster appears with any one of three (R,G,B) colors

**WARNING**  
Do not turn the screen VR after this adjustment.

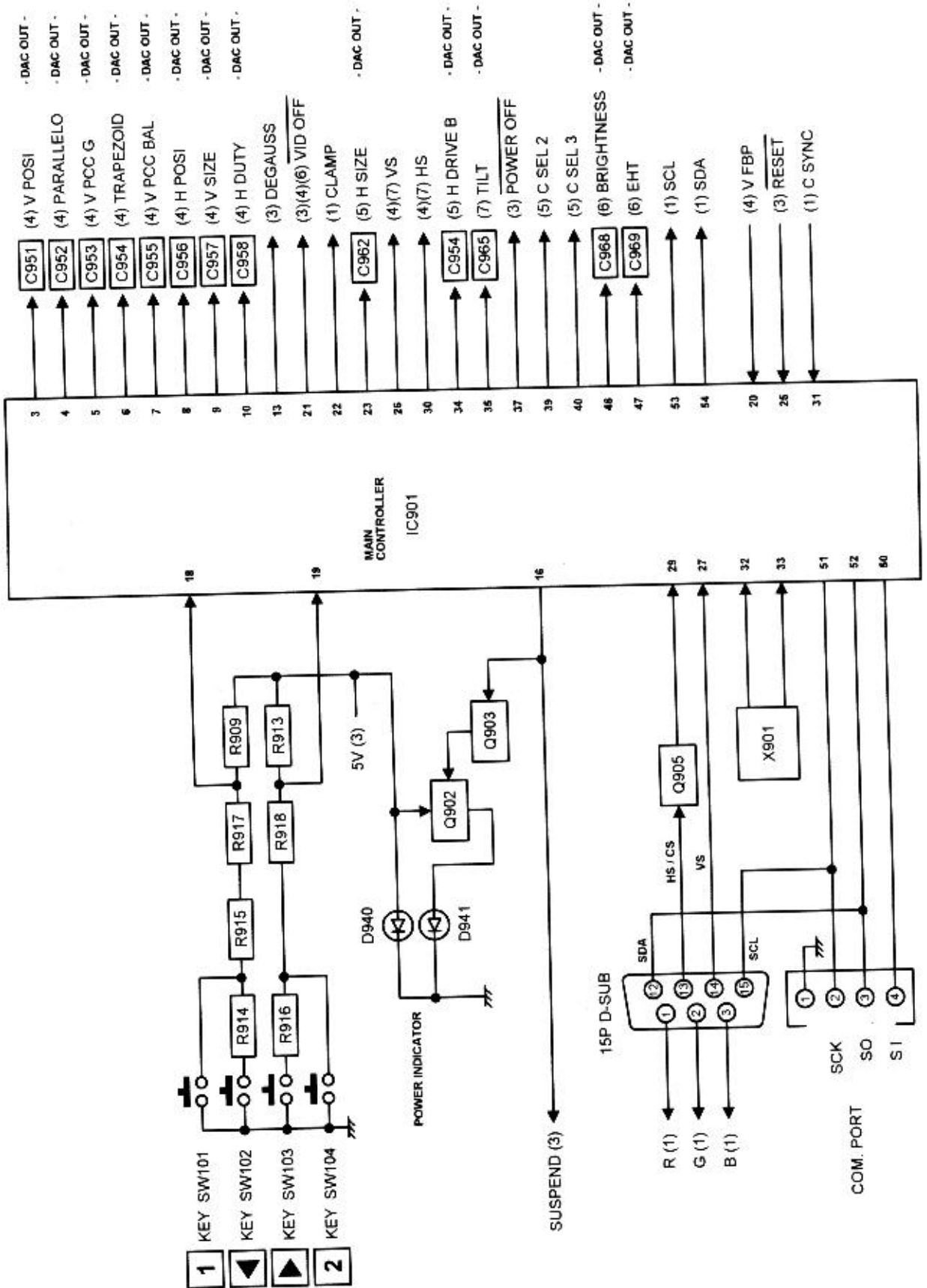


# BLOCK DIAGRAM

## SHEET (1) / VIDEO AMP for HV9

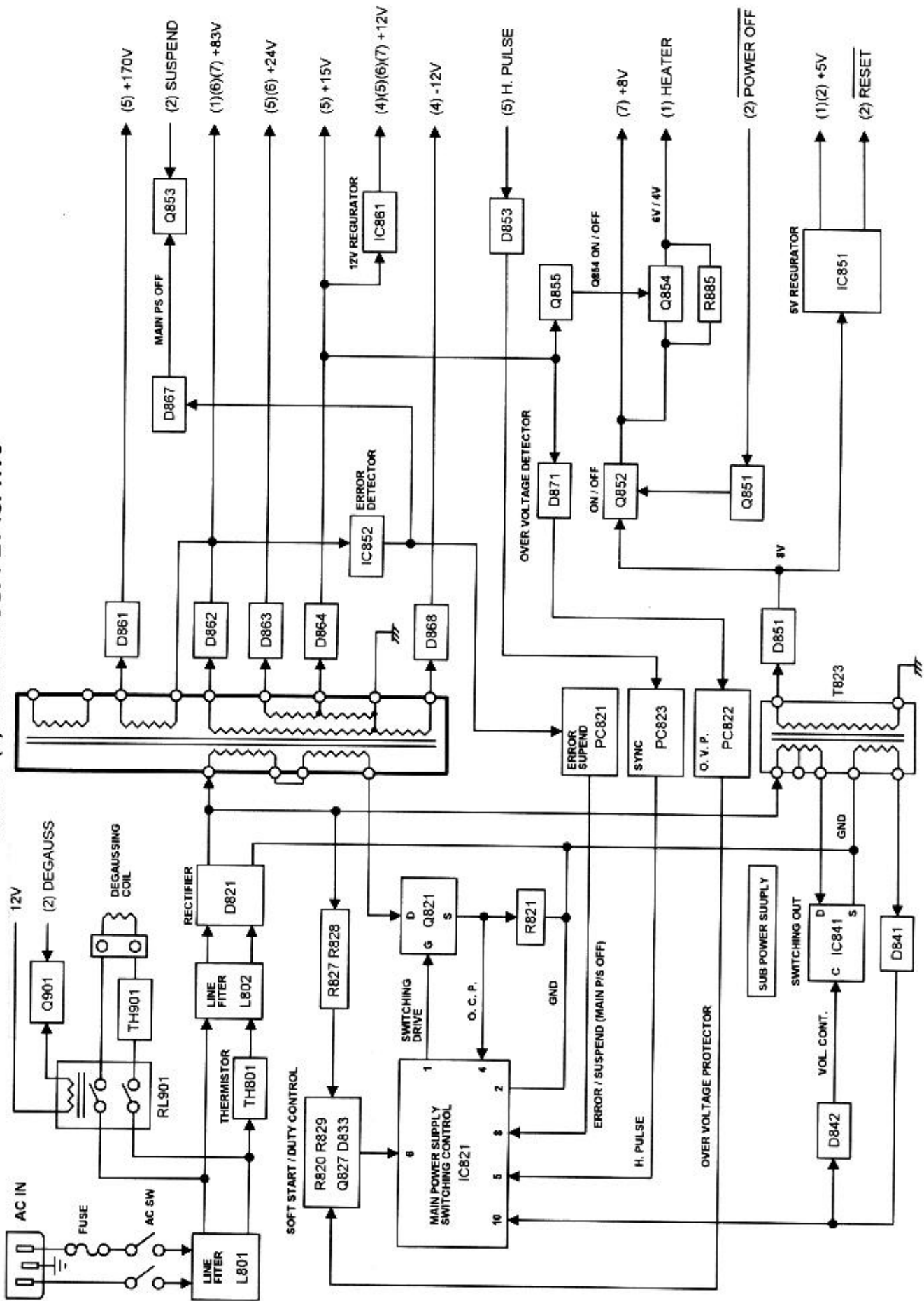


# SHEET (2) / MAIN CONTROL for HV9

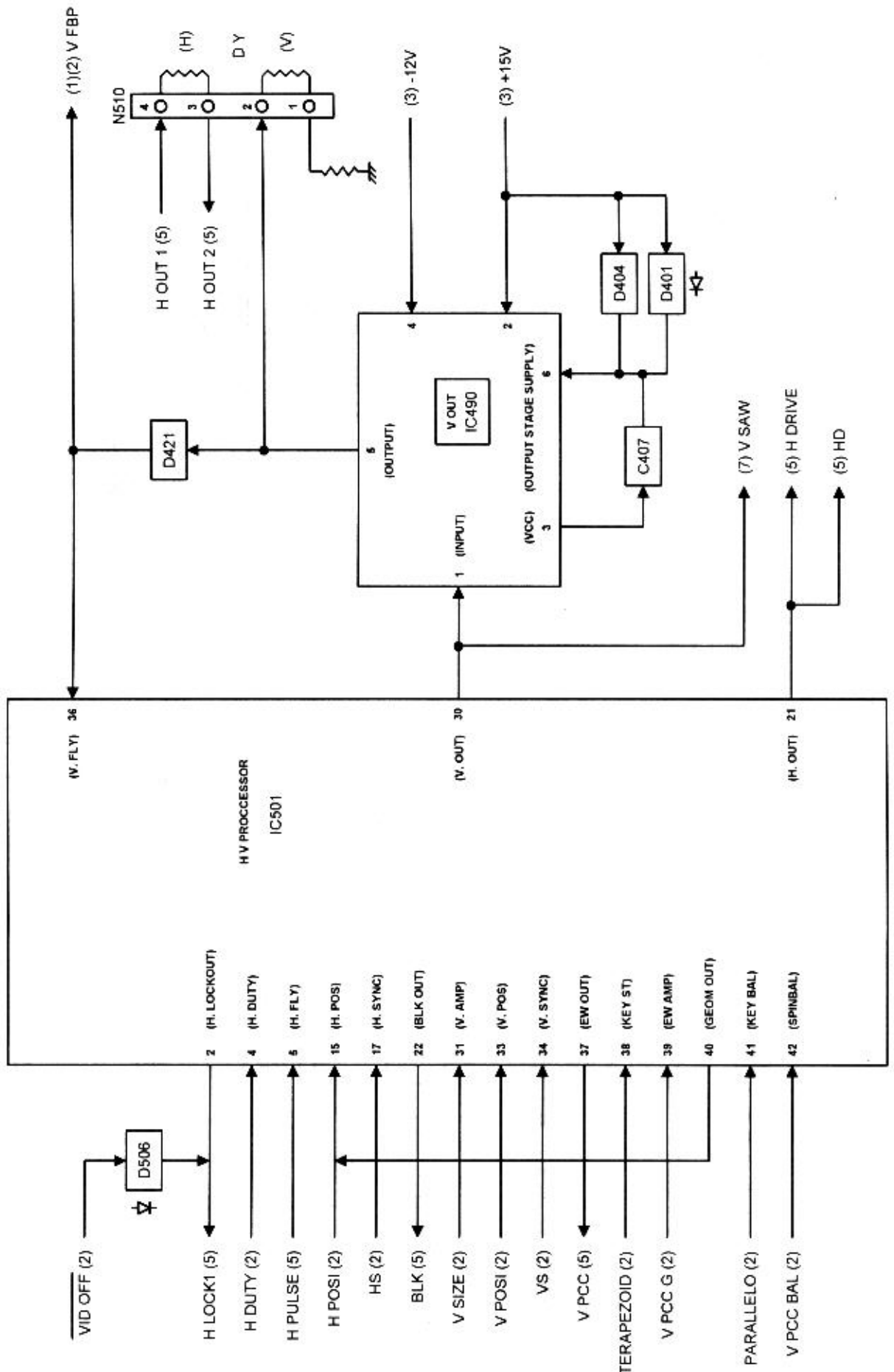




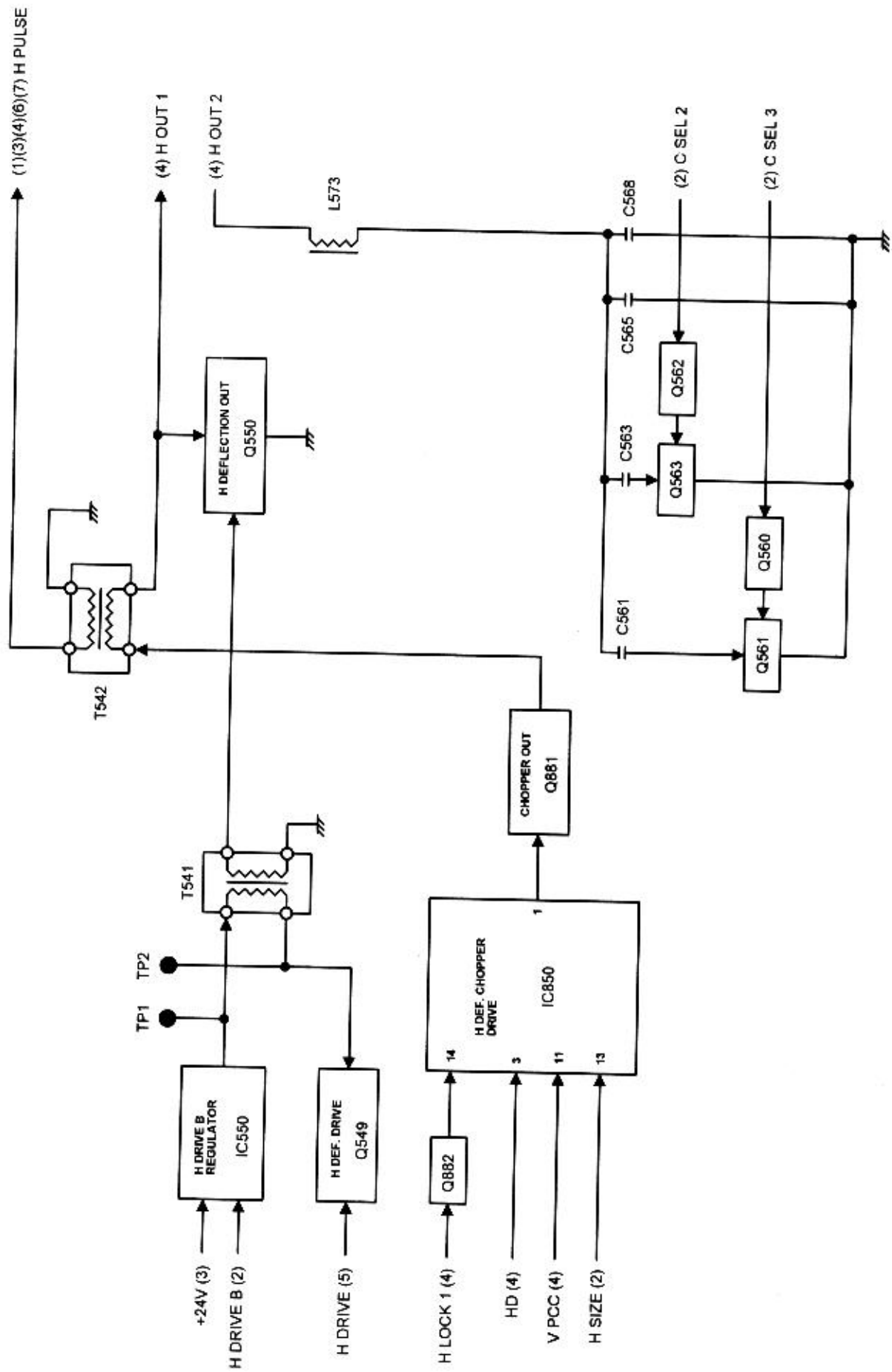
SHEET (3) / POWER SUPPLY for HV9

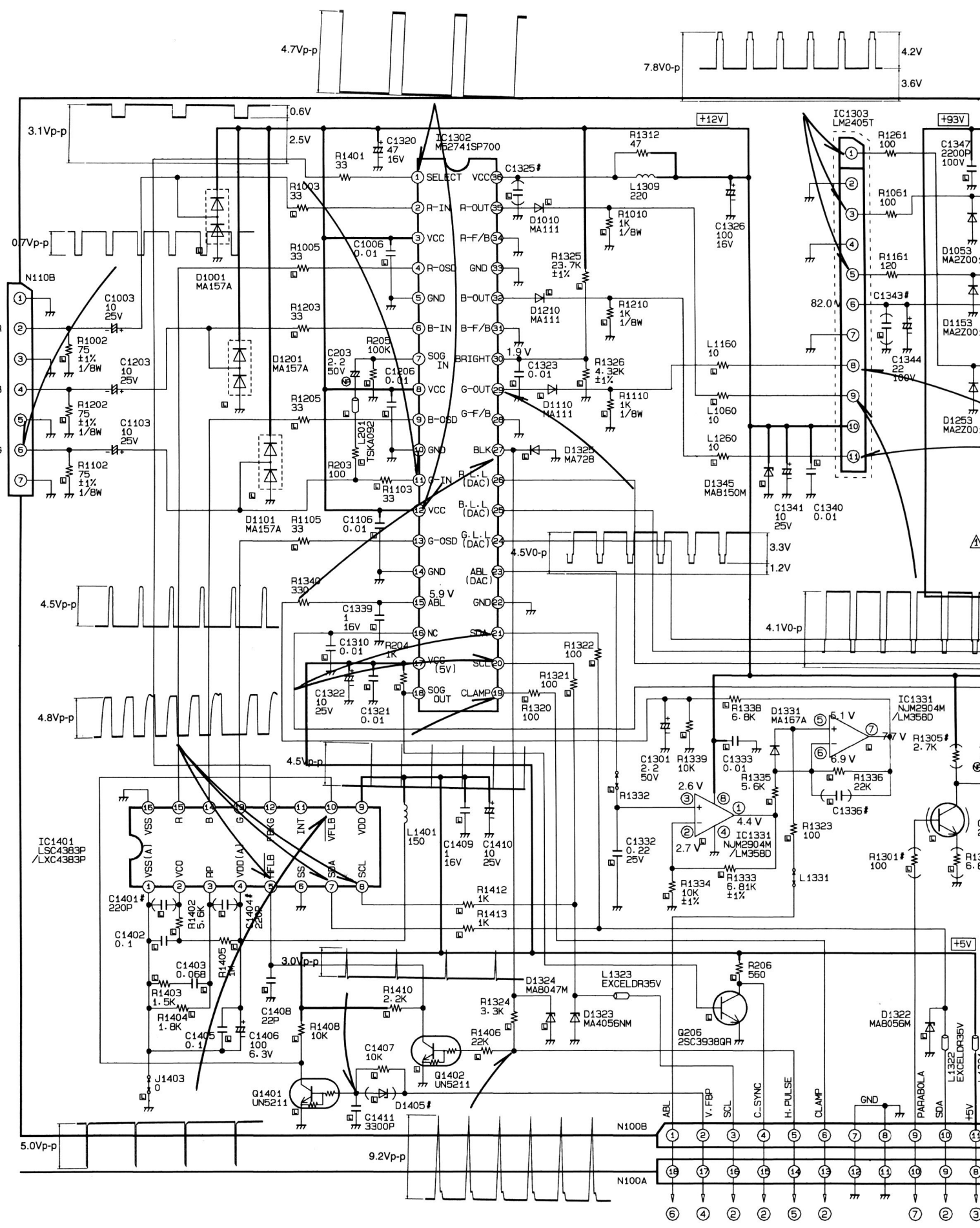


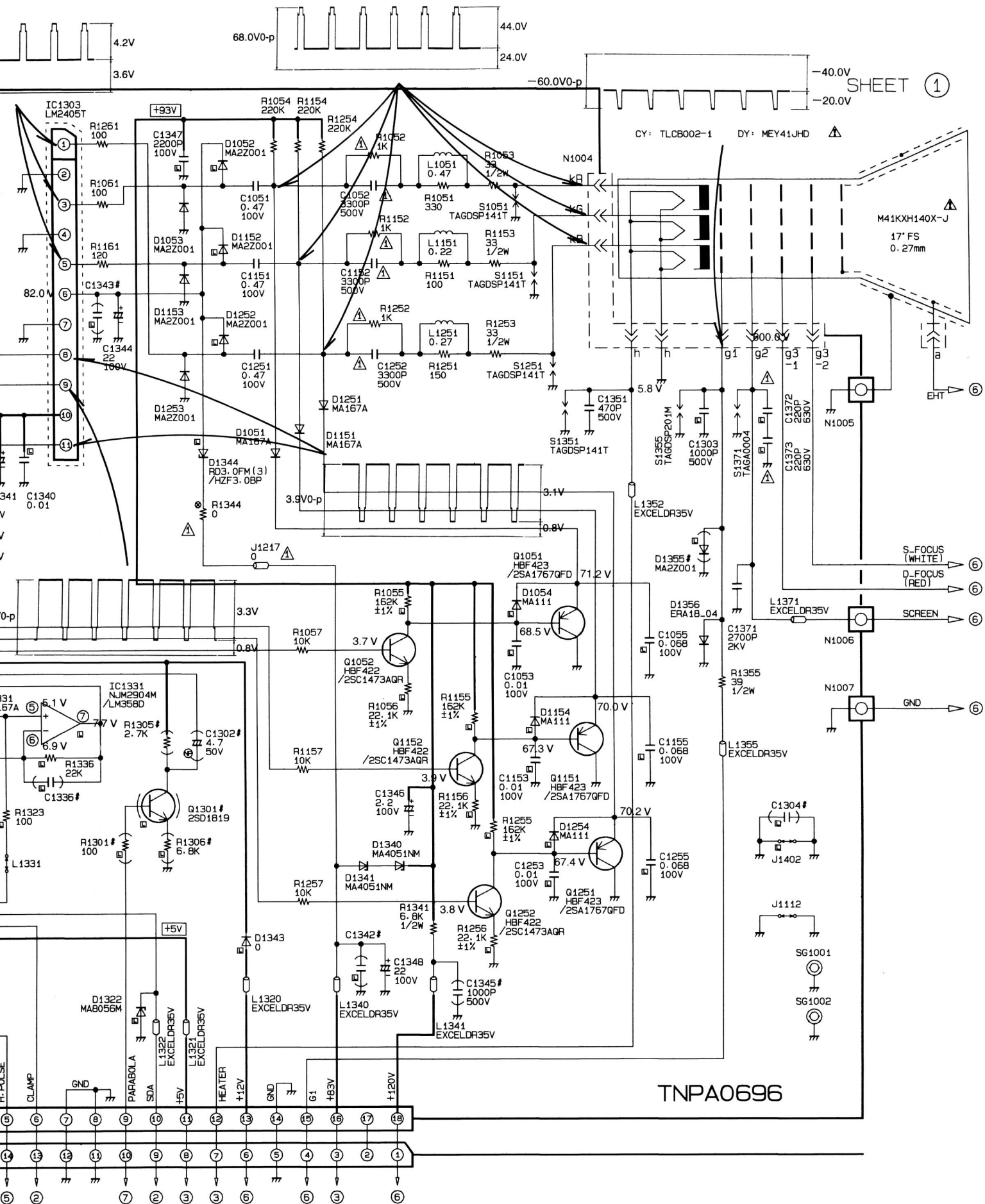
# SHEET (4) / HV CONTROL for HV9



SHEET (5) / HORIZONTAL DEFLECTION for HV9

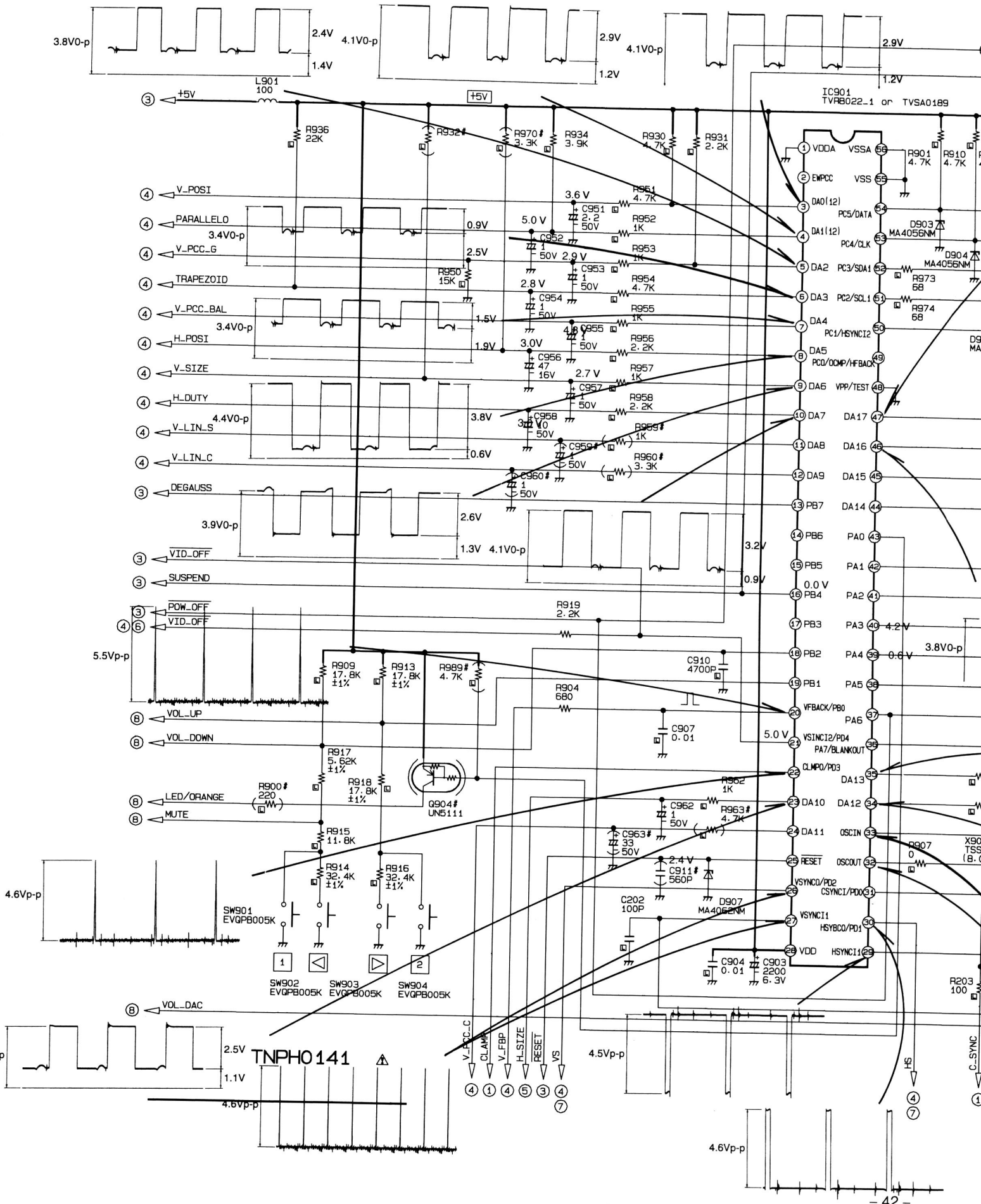


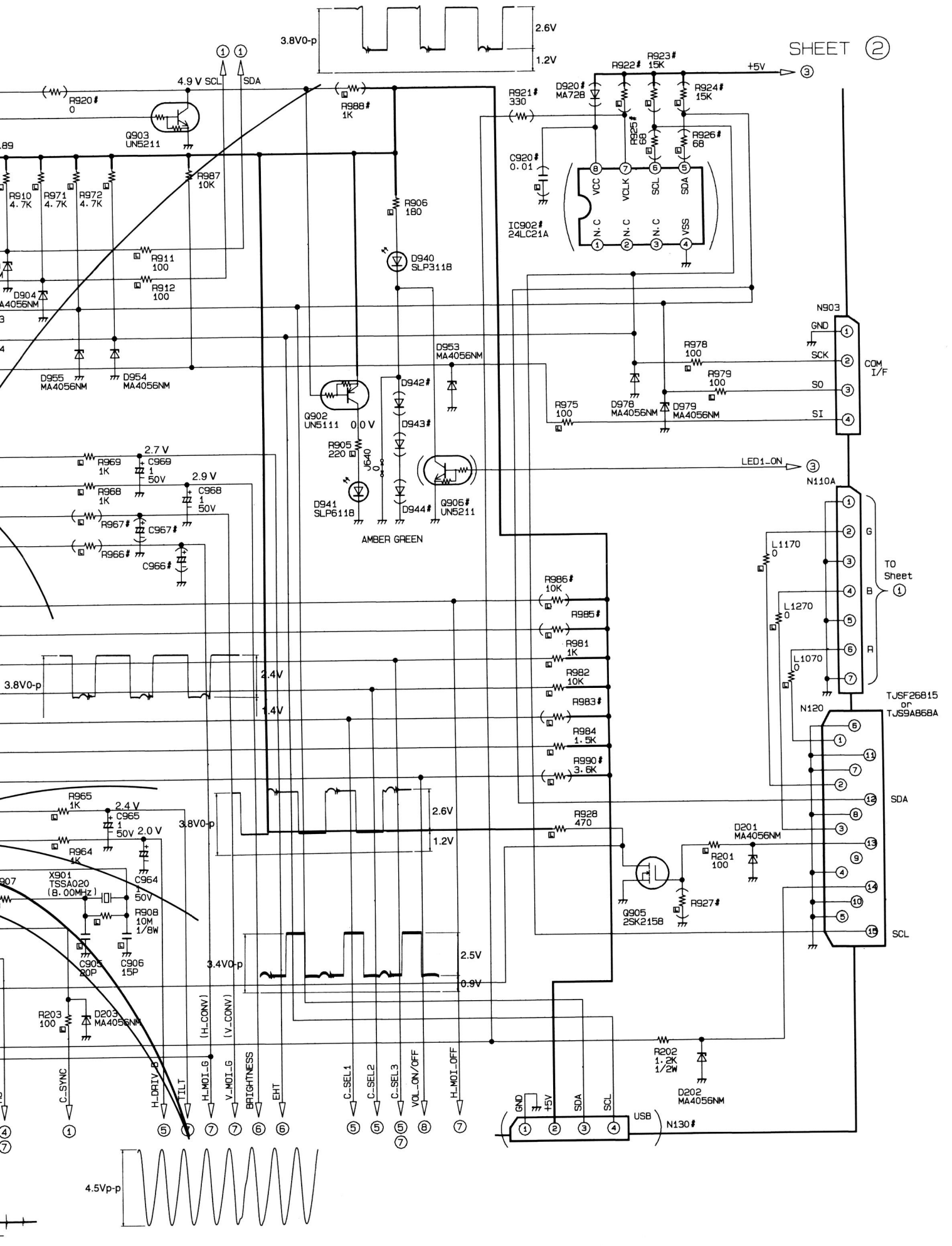




SHEET 1

TNPA0696





TO Sheet 1

TJSF26815 or TJS9A868A

SDA

SCL

USB

N130 #

N110A

N120

N903

N906

N907

N908

N909

N910

N911

N912

N913

N914

N915

N916

N917

N918

N919

N920

N921

N922

N923

N924

N925

N926

N927

N928

N929

N930

N931

N932

N933

N934

N935

N936

N937

N938

N939

N940

N941

N942

N943

N944

N945

N946

N947

N948

N949

N950

N951

N952

N953

N954

N955

N956

N957

N958

N959

N960

N961

N962

N963

N964

N965

N966

N967

N968

N969

N970

N971

N972

N973

N974

N975

N976

N977

N978

N979

N980

N981

N982

N983

N984

N985

N986

N987

N988

N989

N990

N991

N992

N993

N994

N995

N996

N997

N998

N999

N1000

N1001

N1002

N1003

N1004

N1005

N1006

N1007

N1008

N1009

N1010

N1011

N1012

N1013

N1014

N1015

N1016

N1017

N1018

N1019

N1020

N1021

N1022

N1023

N1024

N1025

N1026

N1027

N1028

N1029

N1030

N1031

N1032

N1033

N1034

N1035

N1036

N1037

N1038

N1039

N1040

N1041

N1042

N1043

N1044

N1045

N1046

N1047

N1048

N1049

N1050

N1051

N1052

N1053

N1054

N1055

N1056

N1057

N1058

N1059

N1060

N1061

N1062

N1063

N1064

N1065

N1066

N1067

N1068

N1069

N1070

N1071

N1072

N1073

N1074

N1075

N1076

N1077

N1078

N1079

N1080

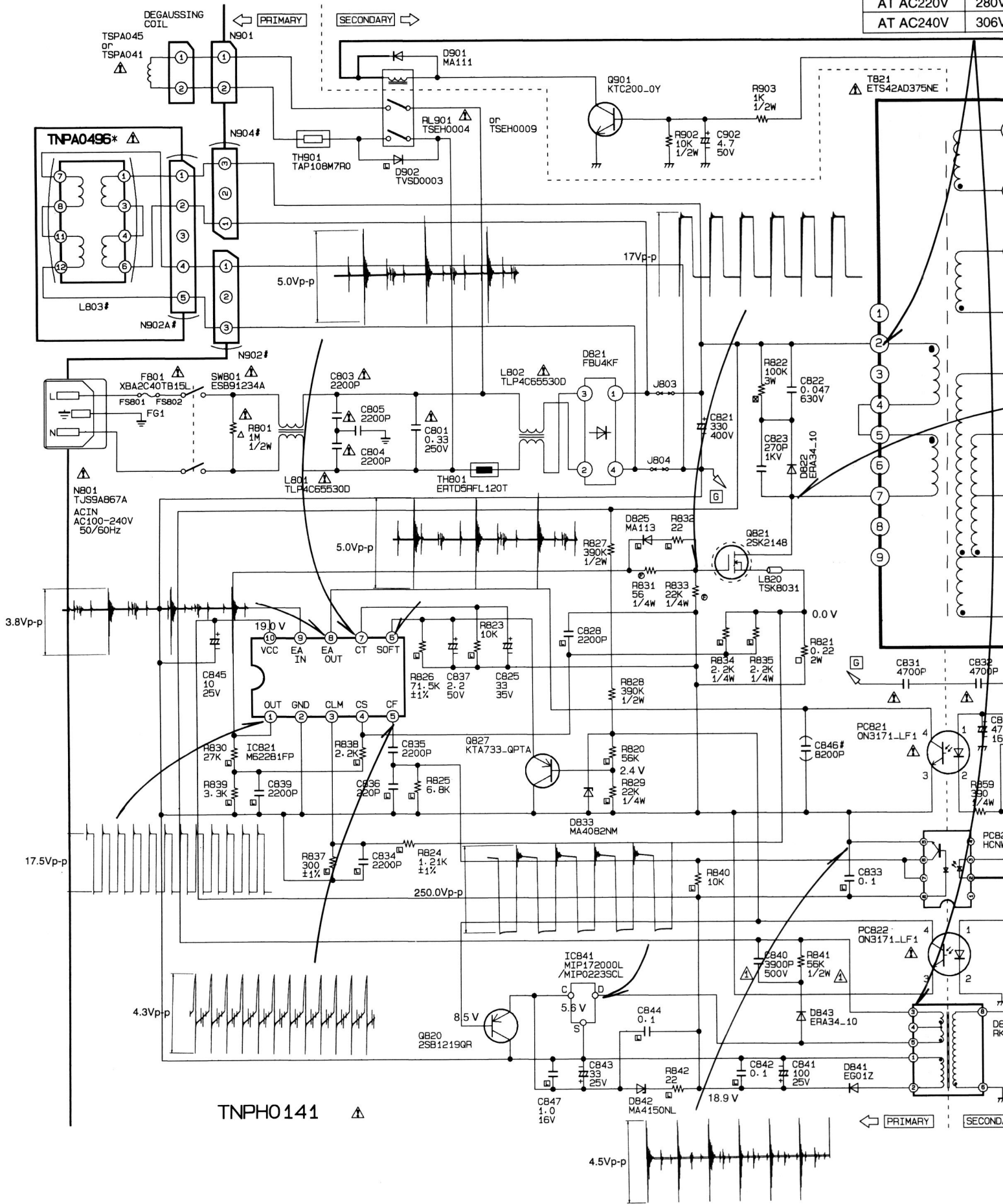
N1081

N1082

N1083

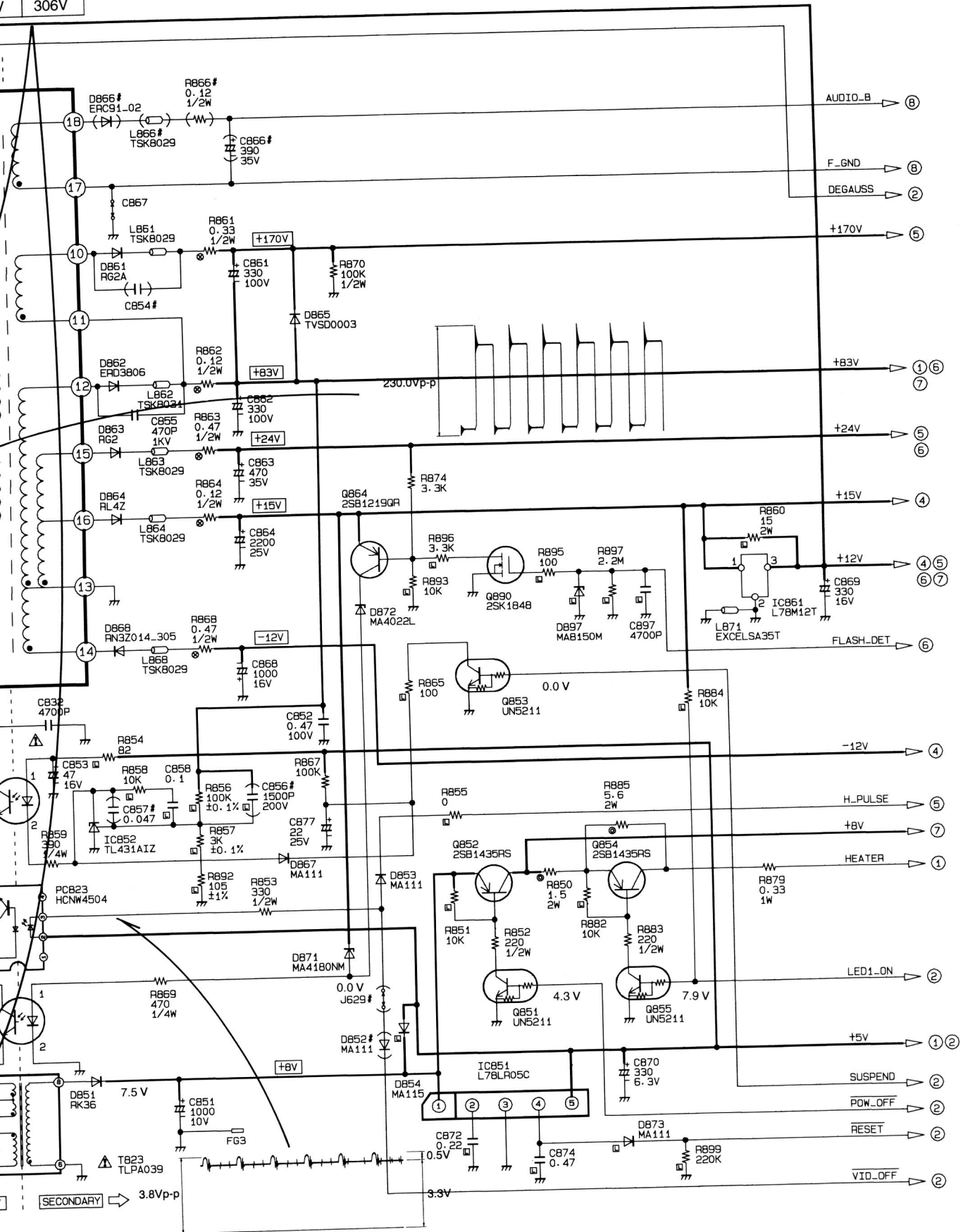


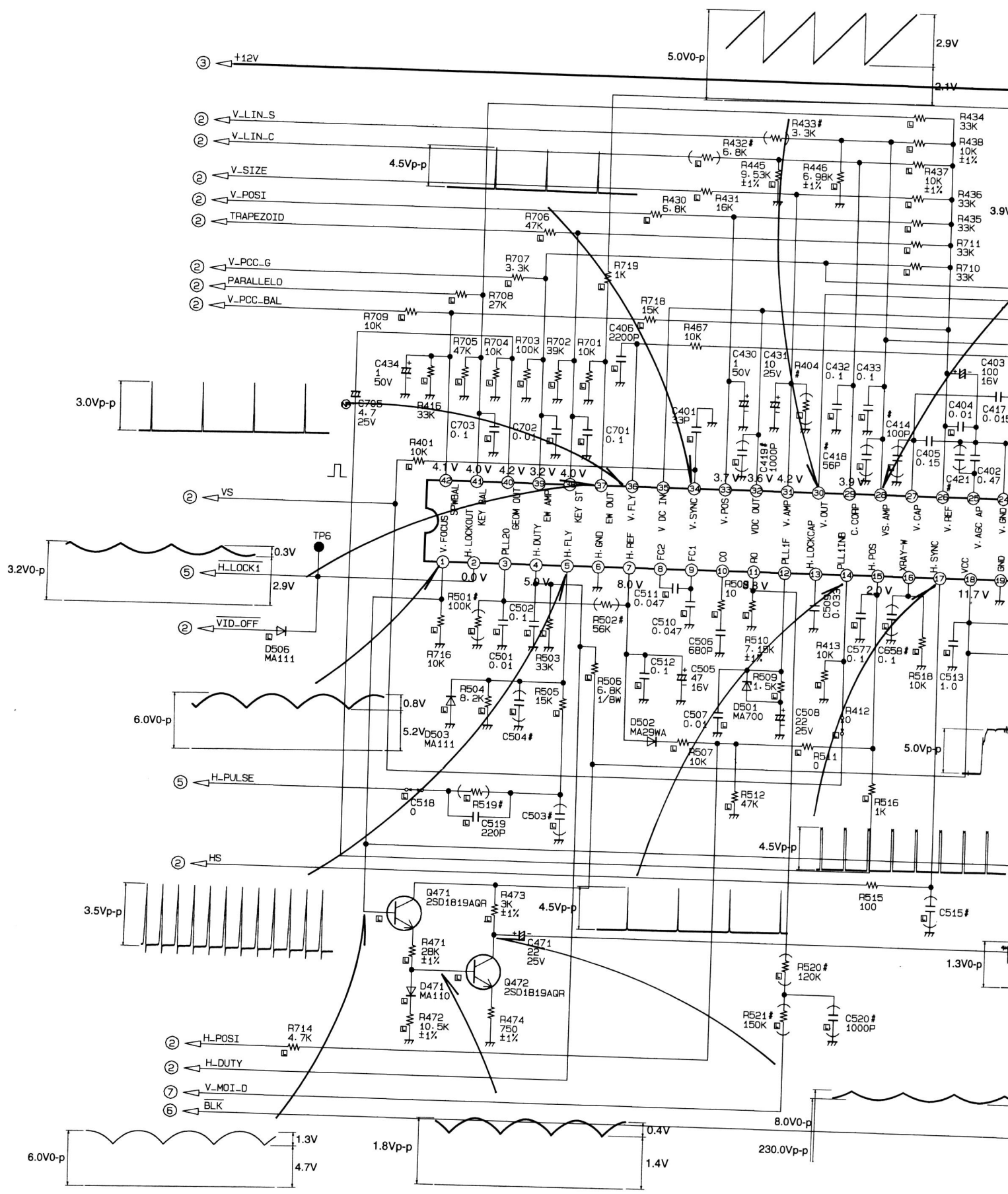
AT AC100V	122V
AT AC100V	122V
AT AC120V	150V
AT AC220V	280V
AT AC240V	306V

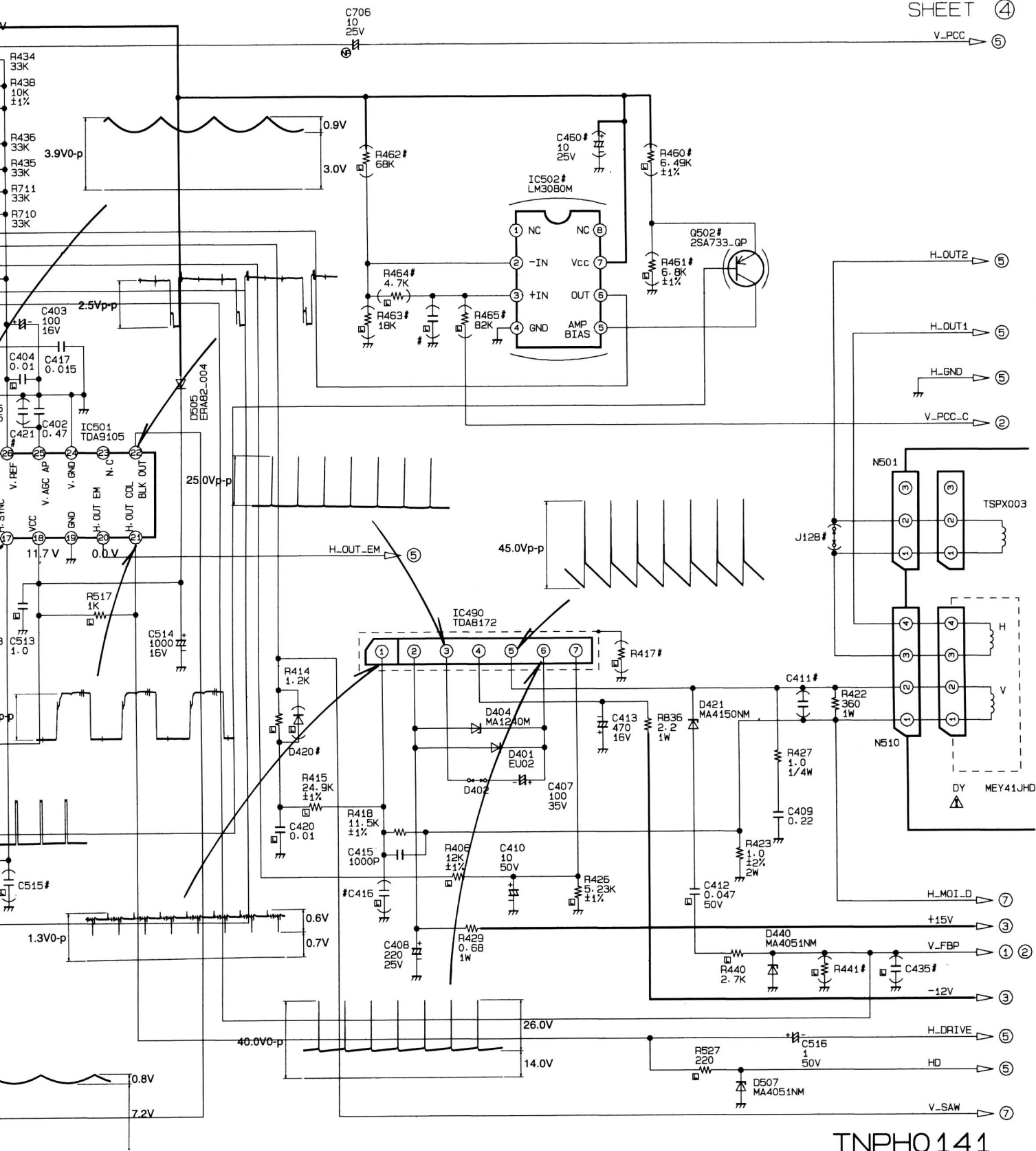


TNPHO141

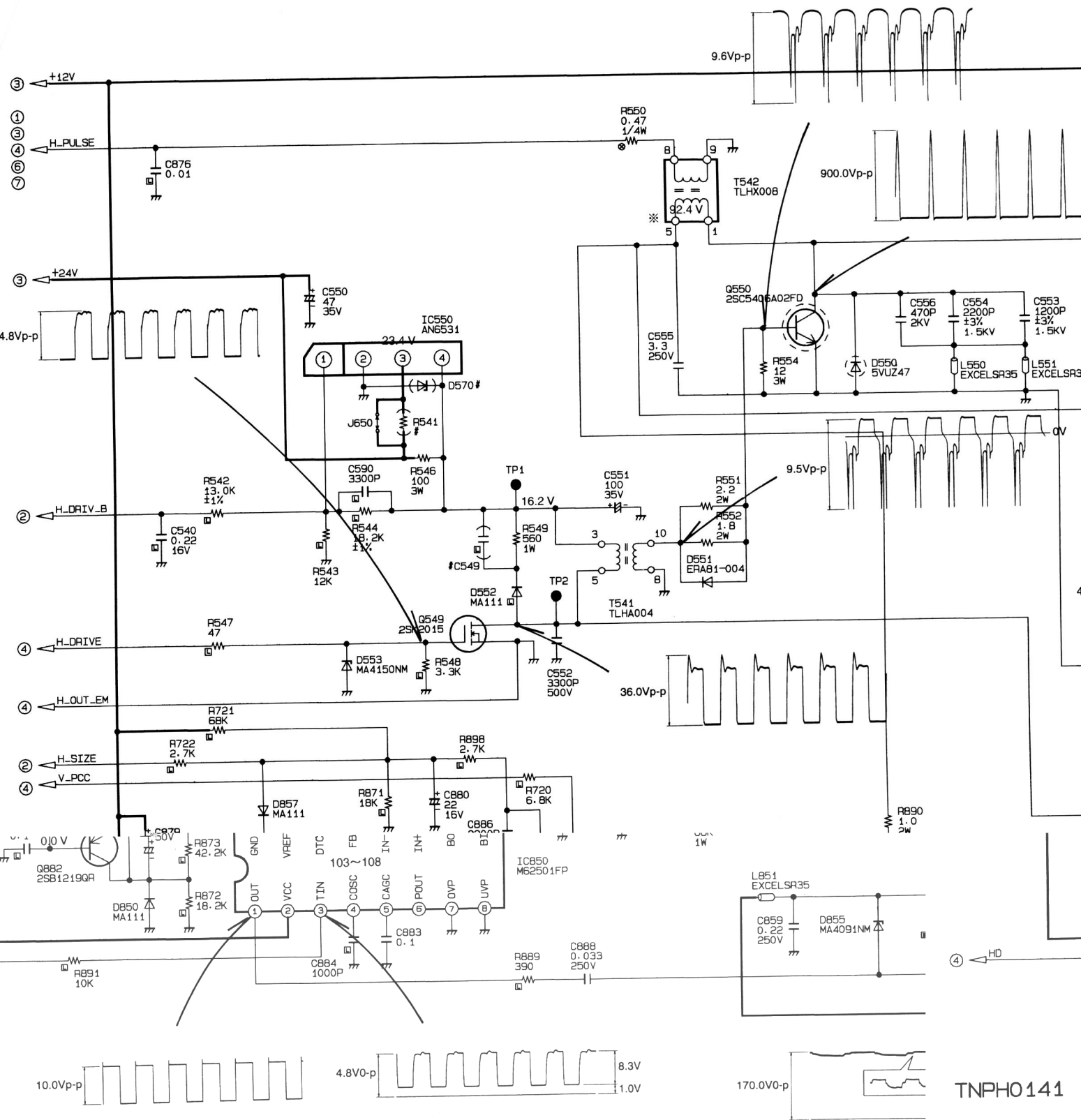
122V
122V
150V
280V
306V







TNPHO 141

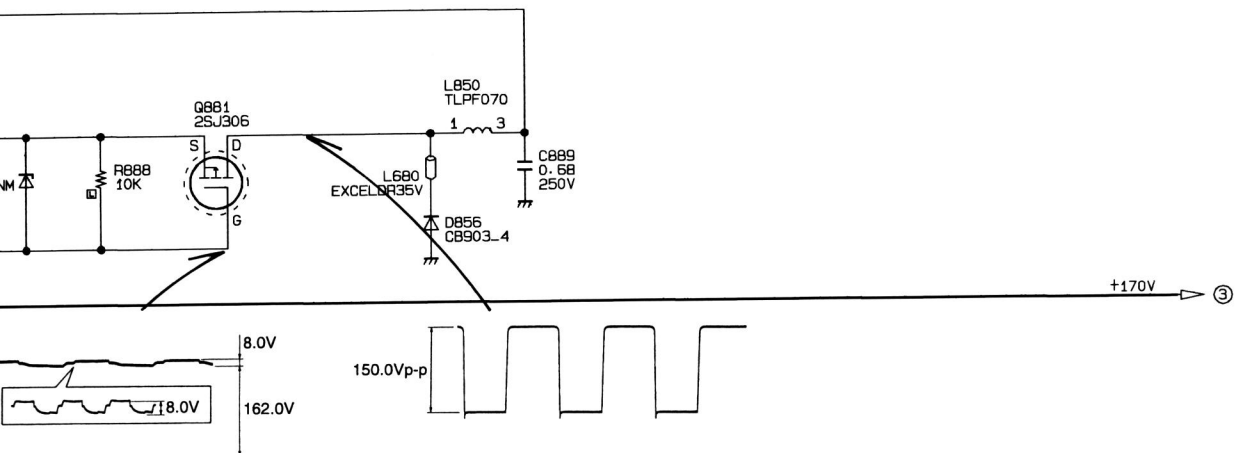
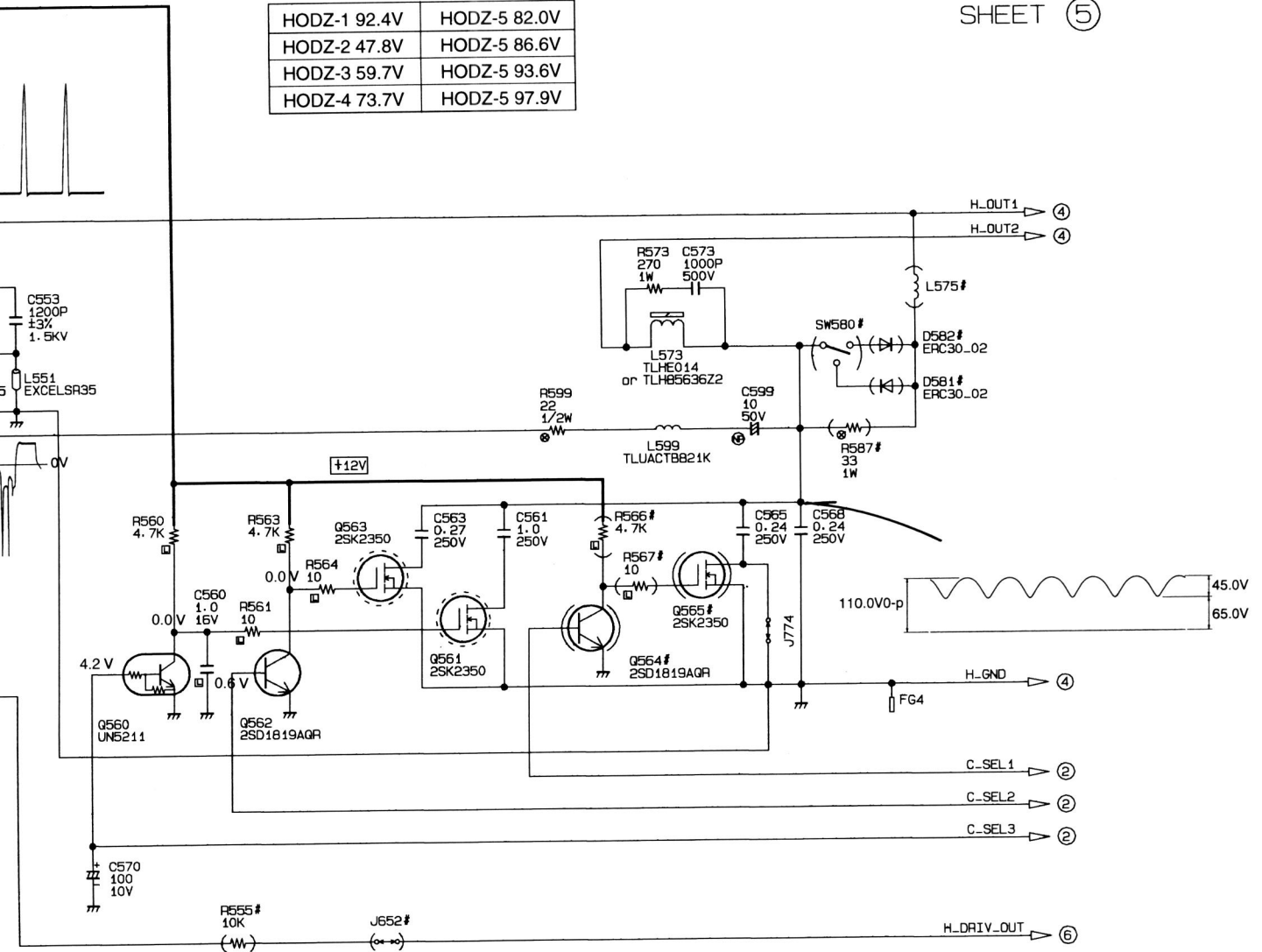


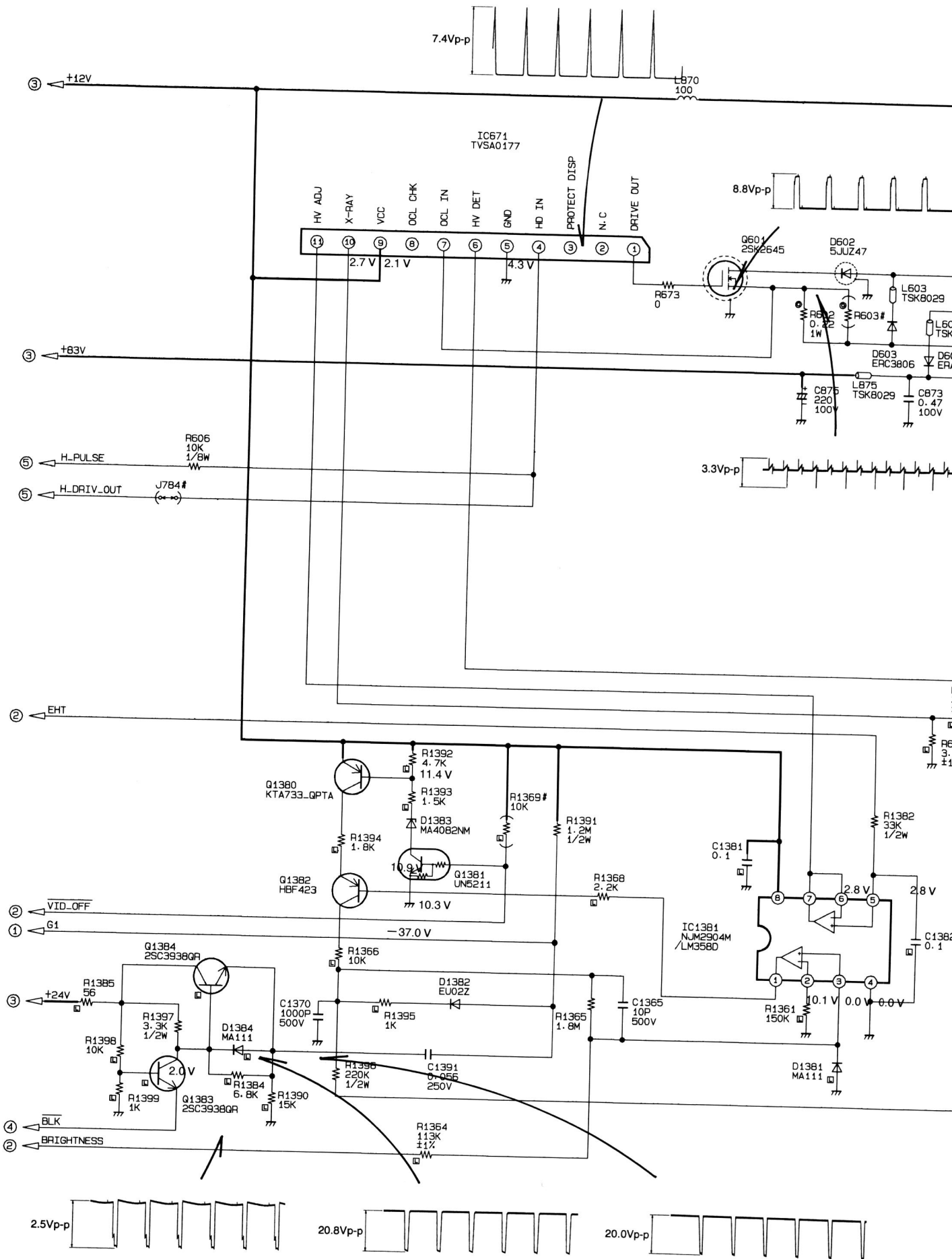
TNPH0141

※T542 ②VOLTAGE

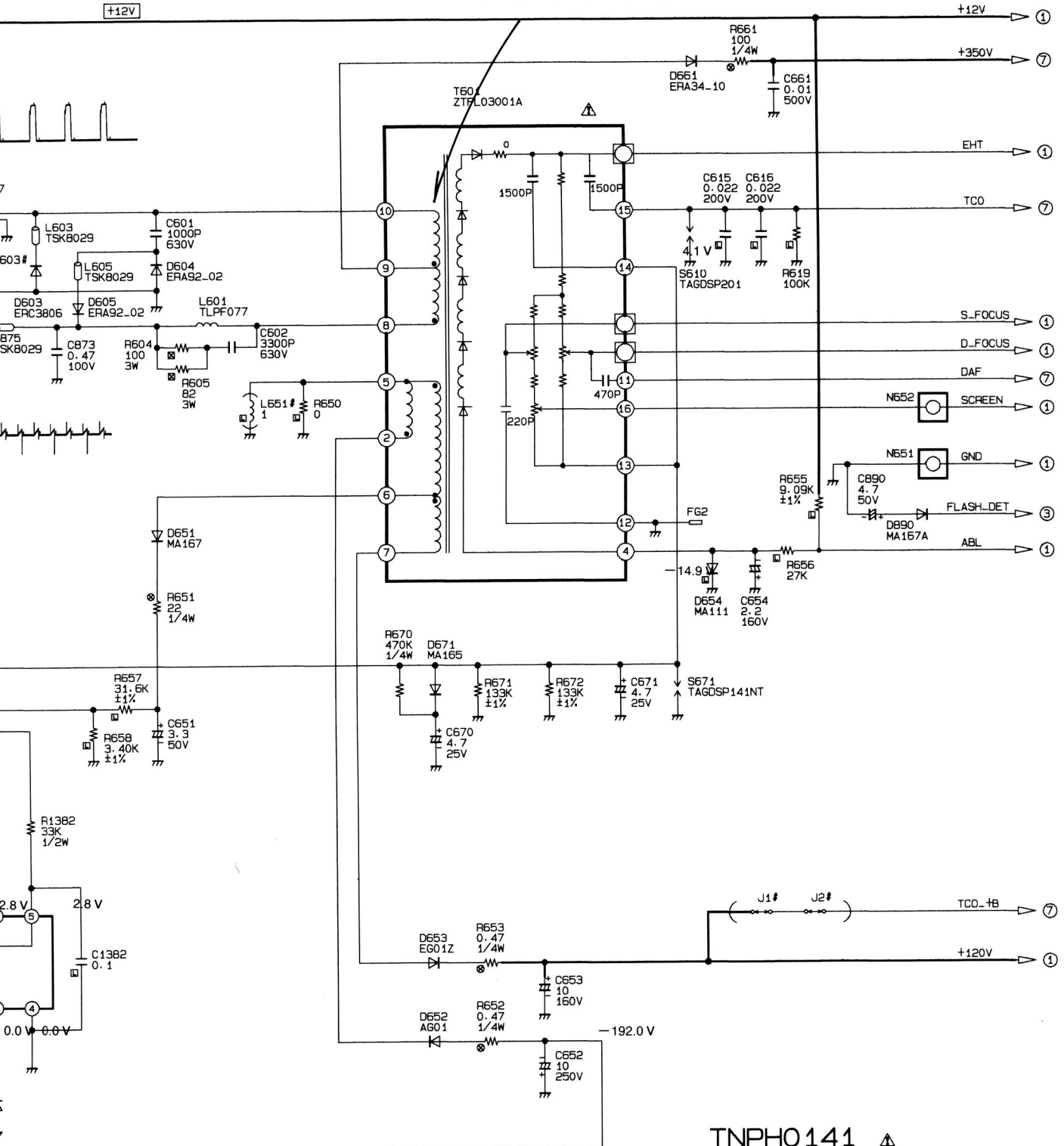
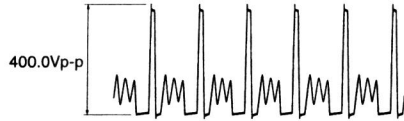
HODZ-1 92.4V	HODZ-5 82.0V
HODZ-2 47.8V	HODZ-5 86.6V
HODZ-3 59.7V	HODZ-5 93.6V
HODZ-4 73.7V	HODZ-5 97.9V

SHEET ⑤

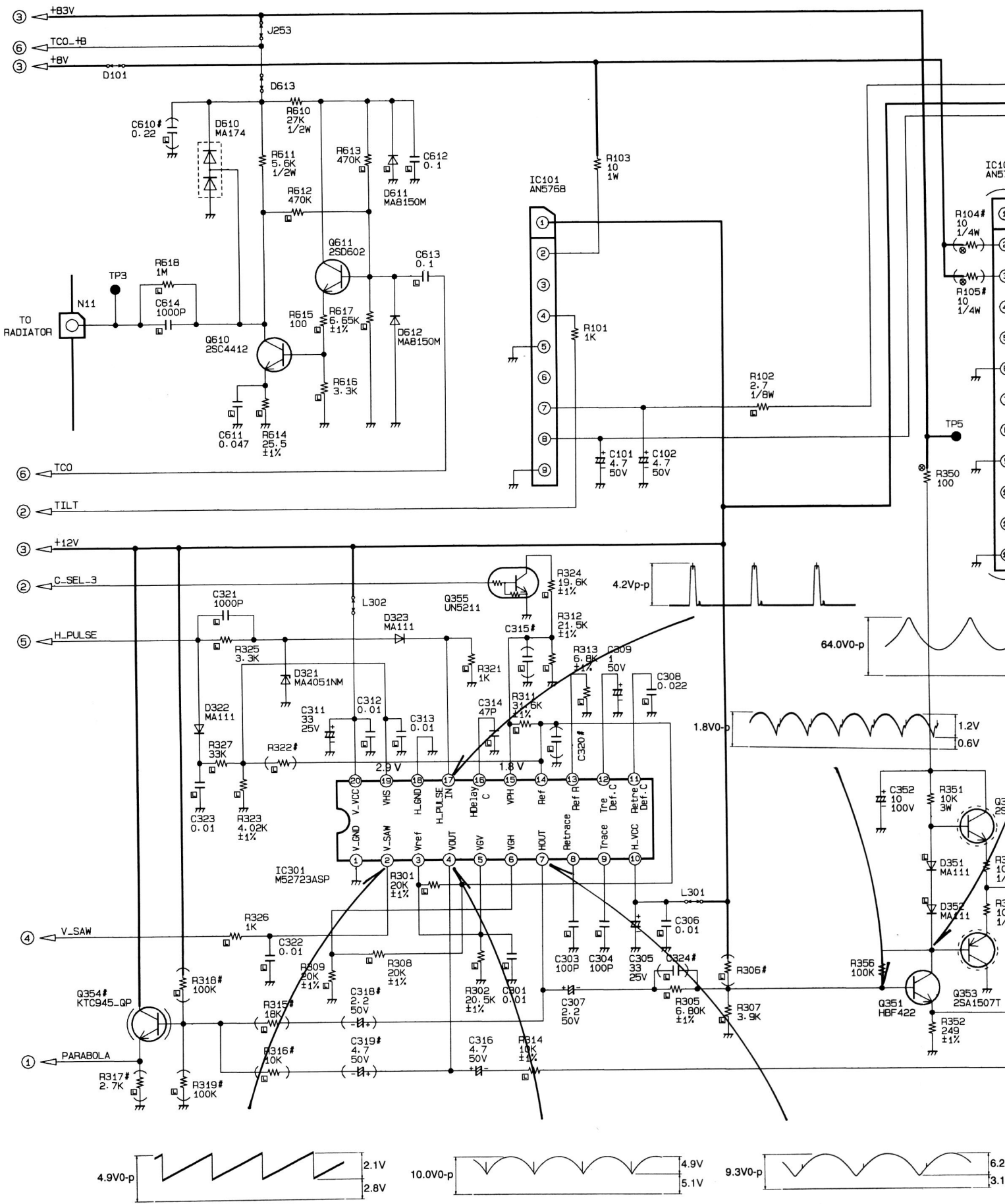


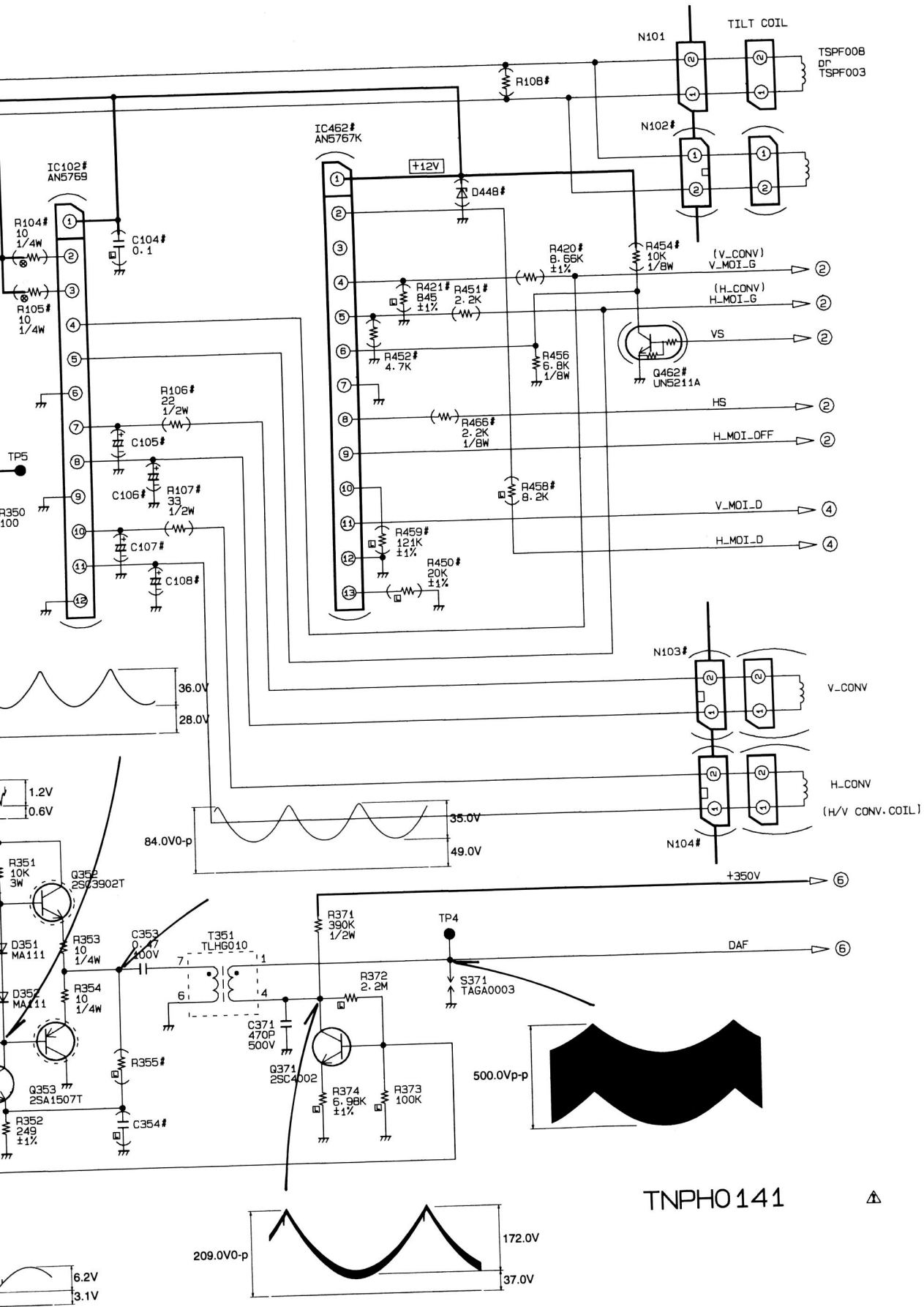






TNPHO141  $\Delta$





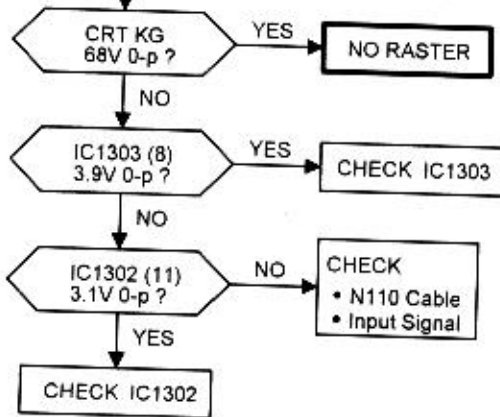
TNP0141



# TROUBLE SHOOTING HINTS

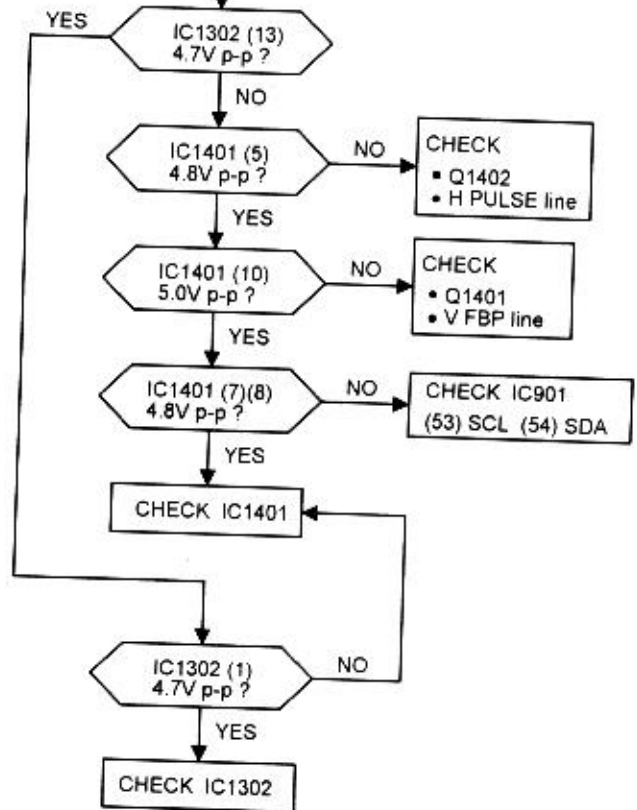
**• NO CHARACTERS**  
**• MISSING ONE COLOR**

EXAMPLE : GREEN MISSING

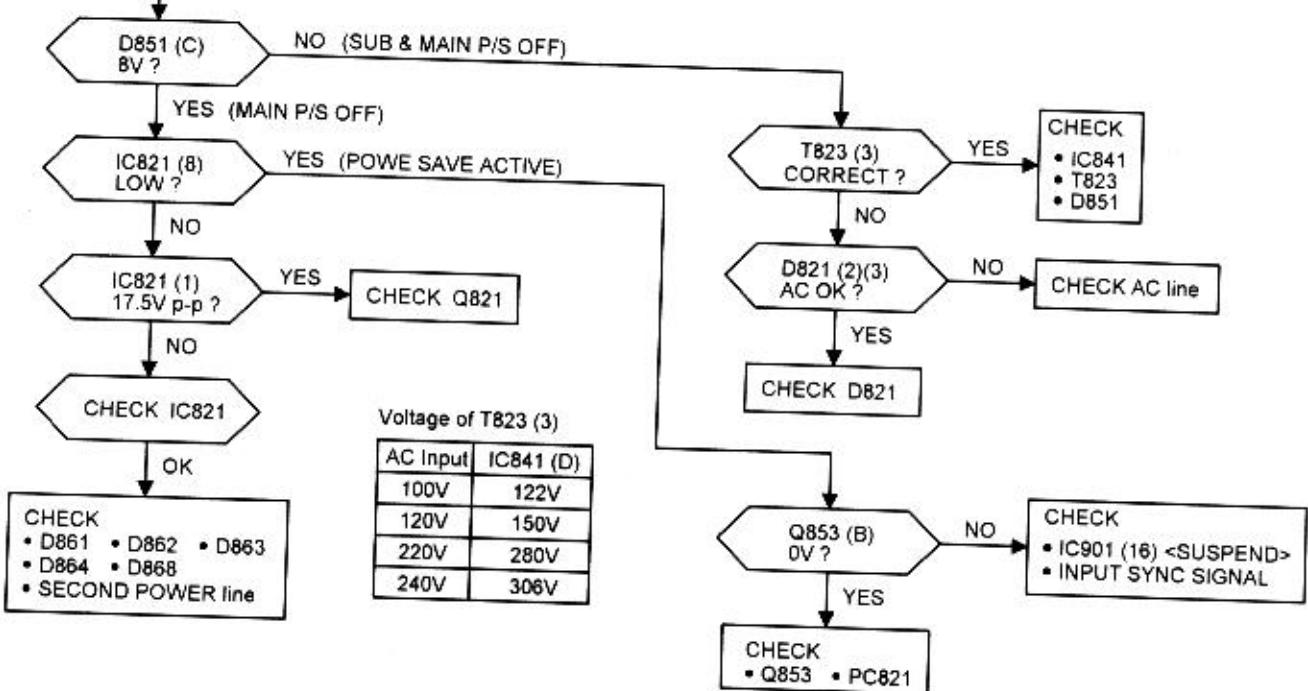


**OSD DOES NOT WORK**

EXAMPLE : GREEN MISSING  
CONDITION : OSD ON

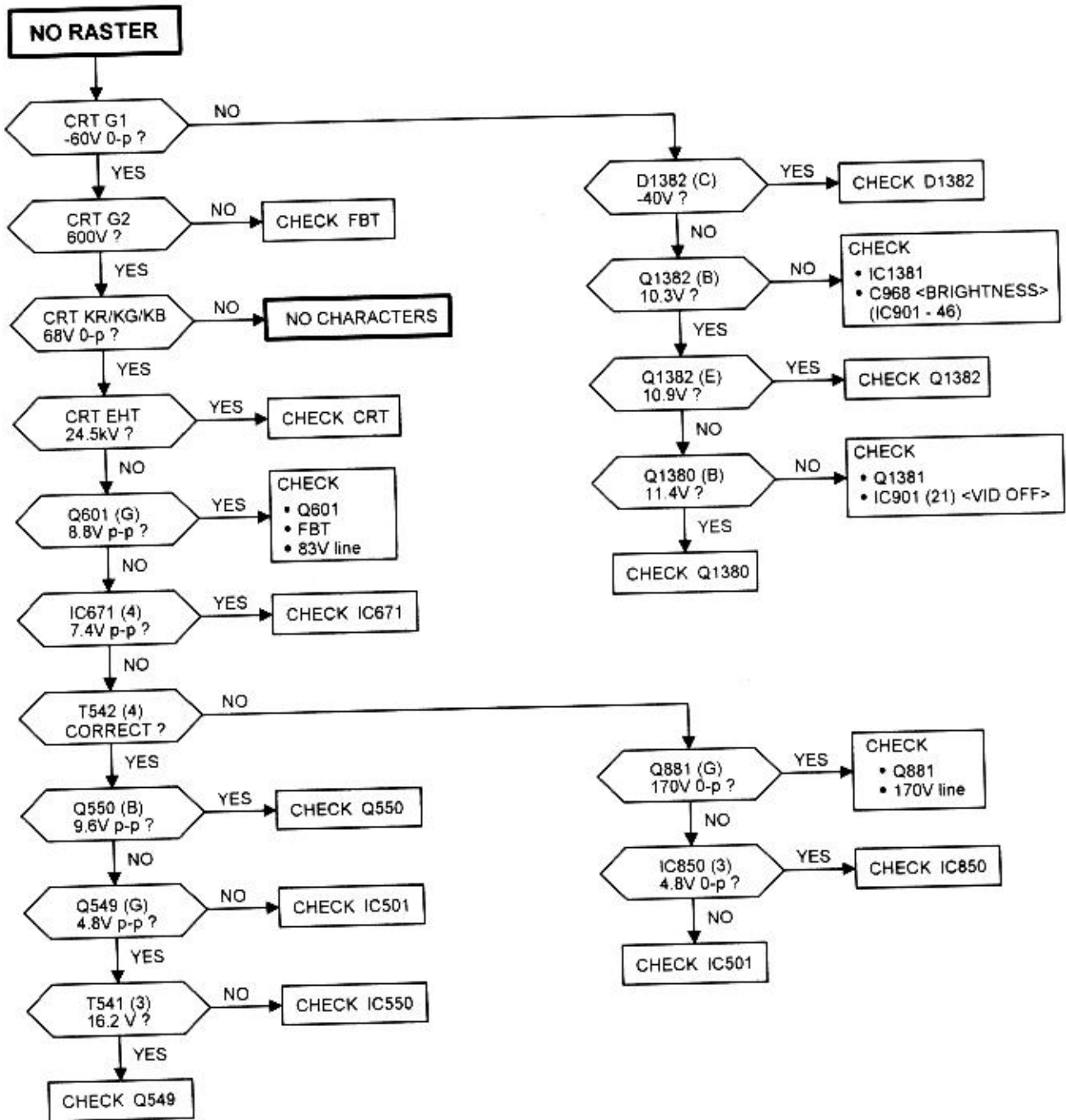


**NO POWER**



Voltage of T823 (3)

AC Input	IC841 (D)
100V	122V
120V	150V
220V	280V
240V	308V

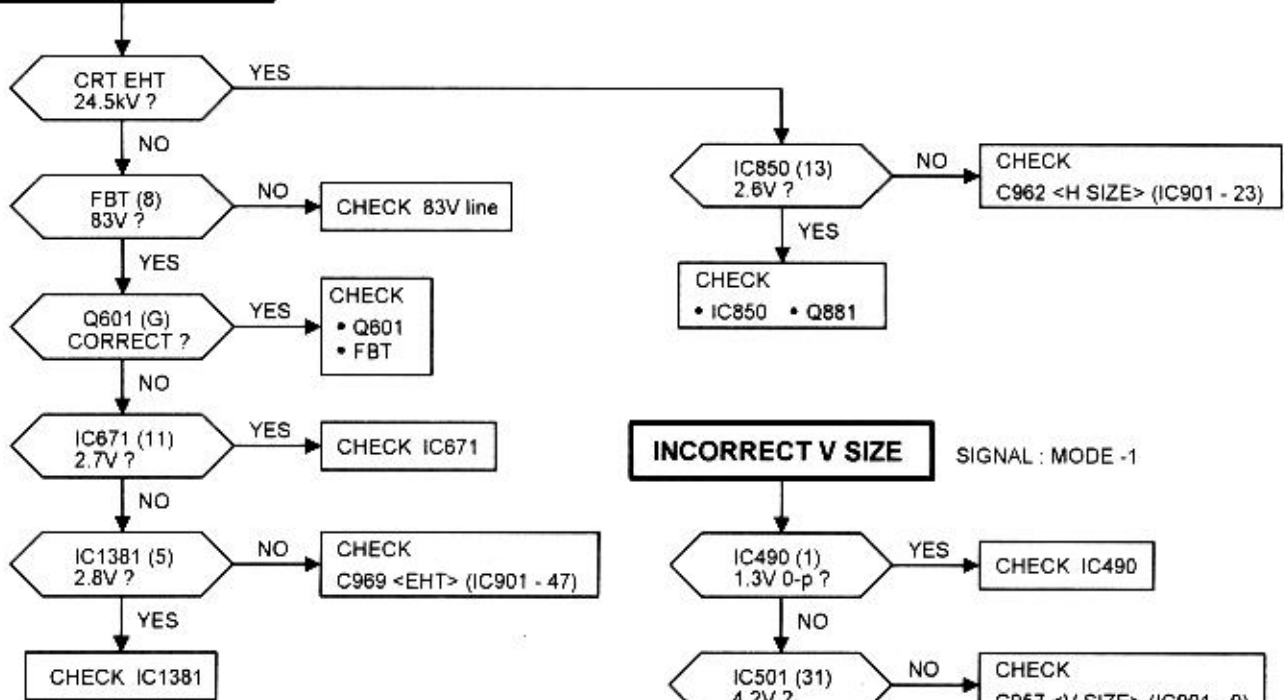


Voltage of T542 (4)

	f H	Value
MODE - 1	60.0 kHz	92.4V
MODE - 2	31.5 kHz	47.8V
MODE - 3	37.5 kHz	59.7V
MODE - 4	46.9 kHz	73.7V
MODE - 5	49.7 kHz	82.0V
MODE - 6	56.5 kHz	86.6V
MODE - 7	60.2 kHz	93.6V
MODE - 8	64.0 kHz	97.9V

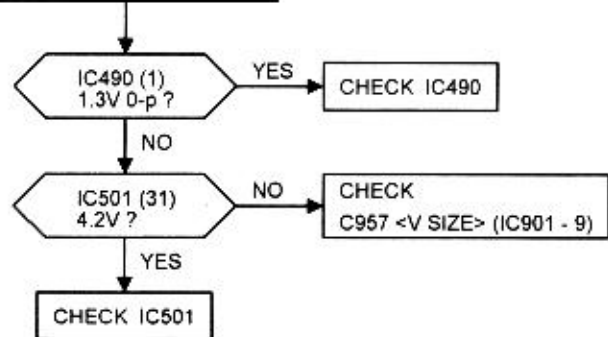
## INCORRECT H SIZE

SIGNAL : MODE -1



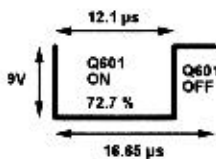
## INCORRECT V SIZE

SIGNAL : MODE -1

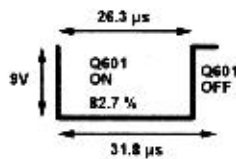


### Q601 (G) Wave Form

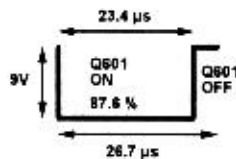
<MODE - 1 : 60 kHz>



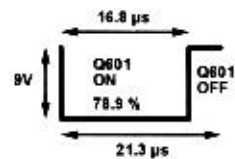
<MODE - 2 : 31.5 kHz>



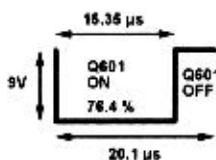
<MODE - 3 : 37.5 kHz>



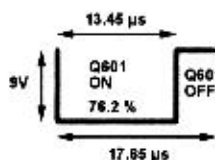
<MODE - 4 : 46.9 kHz>



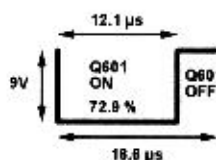
<MODE - 5 : 49.7 kHz>



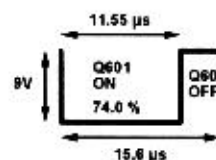
<MODE - 6 : 56.5 kHz>



<MODE - 7 : 60.2 kHz>



<MODE - 8 : 64.0 kHz>



# Service Manual

Multi-Scan Color CRT Display

*PanaSync* S70

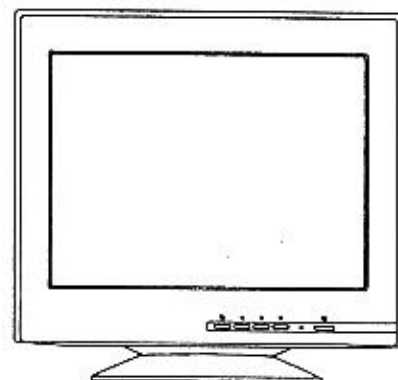
MODEL TX-D7F35-M/-U/-SW/-E/-G)

**Chassis No. HV9**

**Chassis Family No.17HV9**

**Supplement**

This supplement is issued to correct the pages about adjustment for the S70 / TX-D7F35 service manual.



## CONTENTS

REQUIRED ADJUSTMENT PROCEDURE AFTER A PARTS REPLACED .....	1
ADJUSTMENT PROCEDURE .....	2
CRT CUT-OFF ADJUSTMENT .....	9

# Panasonic

© 1997 Matsushita Electric Co., Ltd.

All right reserved. Unauthorized copying and distribution is a violation of law.



**Conditions**

Signal : Turn off the R, G, B (sync signal only)  
 Adjust Menu : " 3) Adjust OTHER setting " at main menu  
 " Adjust VIDEO setting " at sub menu  
 Using by Color Analyzer for H11 and H12 adjustment

**CRT CUT-OFF ADJUSTMENT**

**WARNING**  
 Do not turn the screen VR after this adjustment.

- H5** Set screen VR fully counterclockwise (Min).
- H6** Set BRIGHTNESS to center point by using the OSD
- H7** Set data value to " BC " for R, G, B LOW LIGHT

**H8** Turn screen VR until the raster appears with any one of three (R, G, B) colors

